



Edition : 1.0  
Date: (11/24)

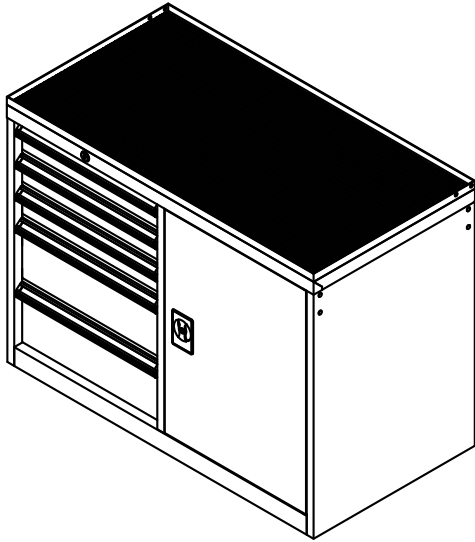
## Instruction Manual

# MOBILE TOOLING CABINET WORKSTATION WTC-1450

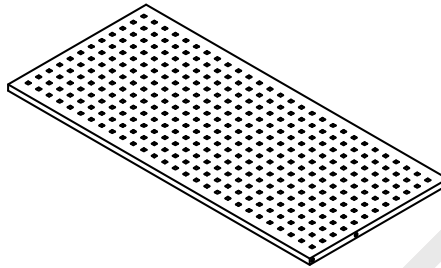
Order Code: (T773)

## PARTS LIST

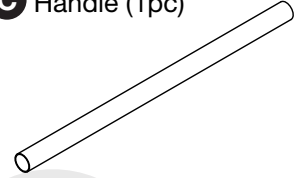
**A** Cabinet (1pc)



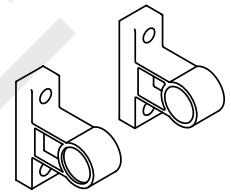
**B** Backing Panel (1pc)



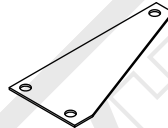
**C** Handle (1pc)



**F** Handle Mounts (2pcs)



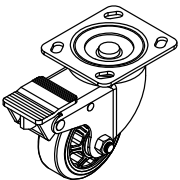
**G** Backing Panel Brackets (2pcs)



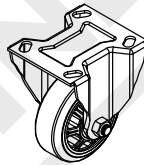
**G** Hex Bolts (22pcs)



**D** Swivel Brake Wheels (2pcs)



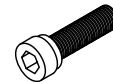
**E** Fixed Wheels (2pcs)



**I** Nuts (6pcs)

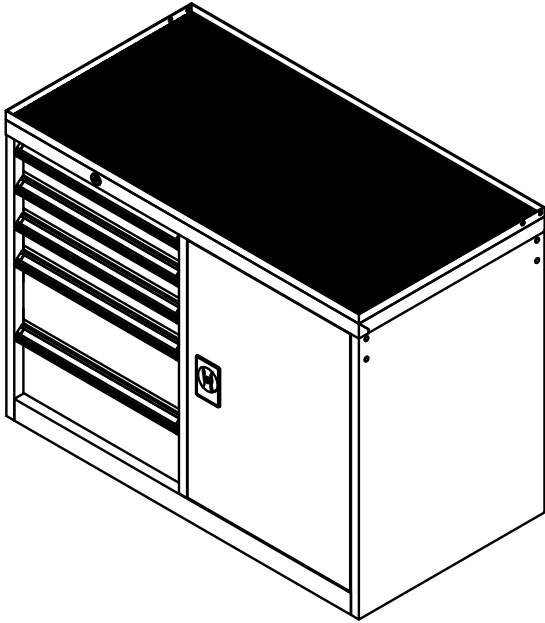


**J** Cap Screws (4pcs)

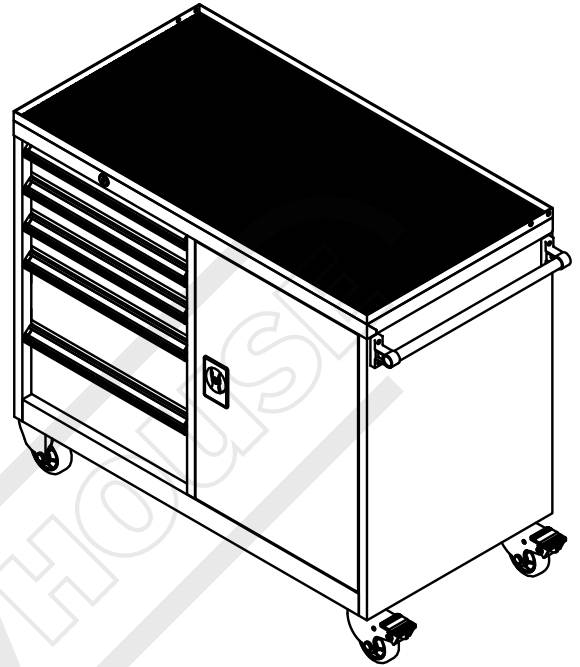


Part No.	Description	Qty
A	Cabinet	1
B	Backing Panel	1
C	Handle	1
D	Swivel Brake Wheels	2
E	Fixed Wheels	2
F	Handle Mounts	1
G	Backing Panel Brackets	2
H	Hex Bolts	22
I	Nuts	6
J	Cap Screws	4

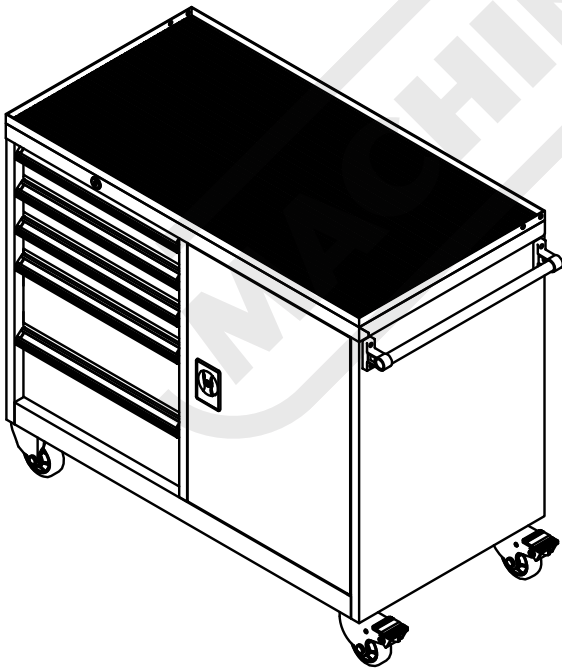
## CONFIGURATIONS



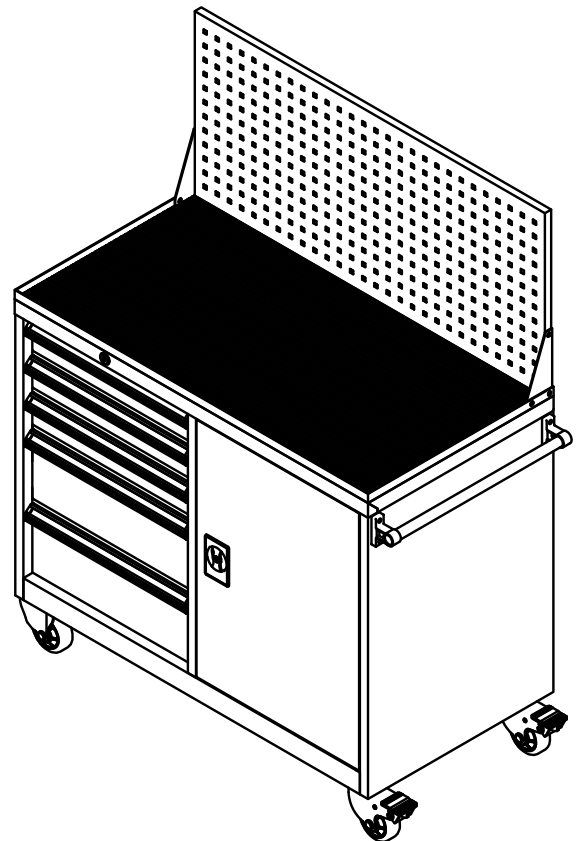
Option 1



Option 2



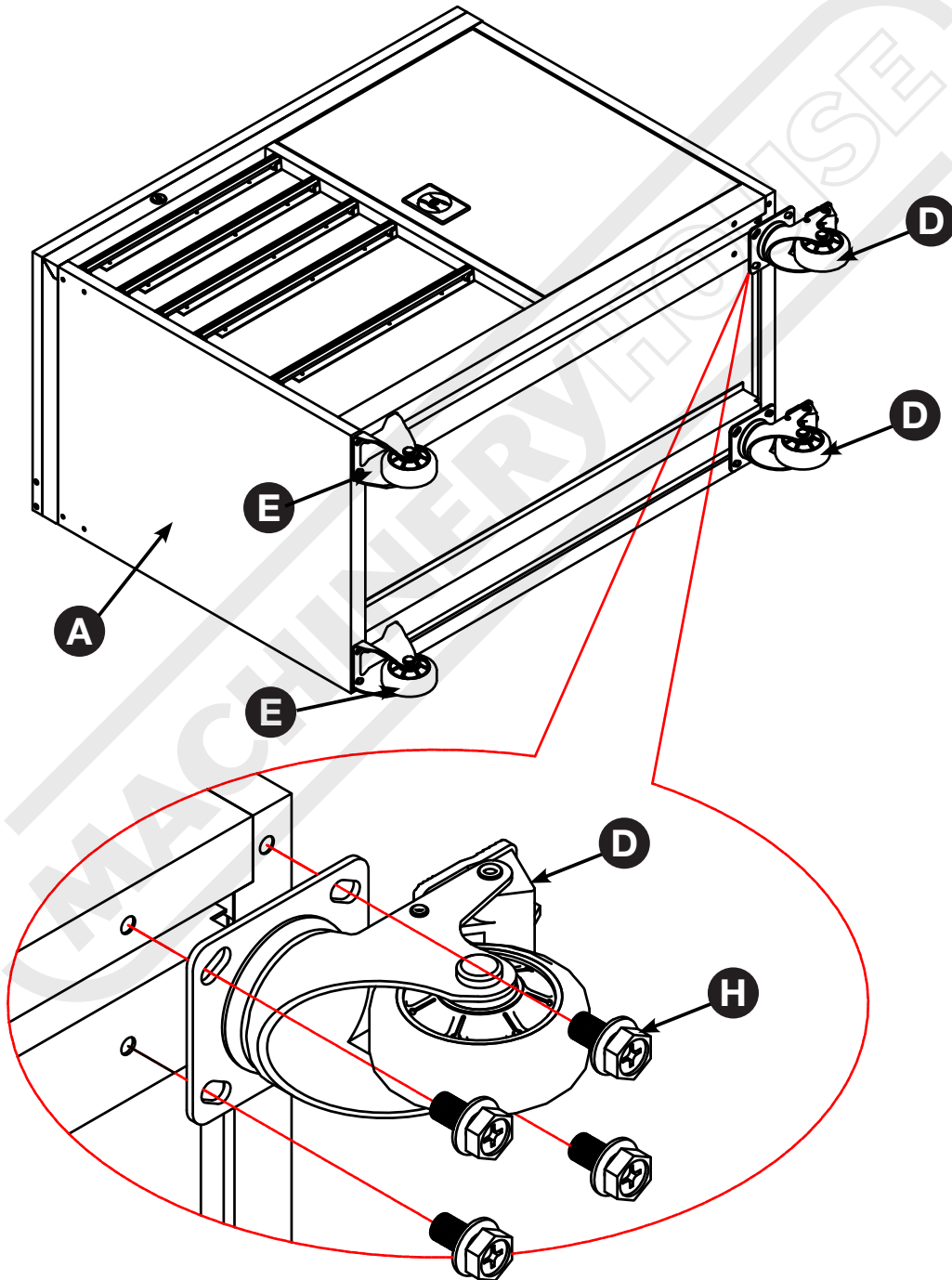
Option 3



Option 4

## ASSEMBLY

**Step 1:** Lay the cabinet of its side (use cardboard or a cloth to protect cabinet when laying down) and attach the four wheels (D & E) to base of cabinet using hex bolts (H). Be sure to attach the swivel brake wheels (D) to the same end of the cabinet as the handle (C) as shown in Step 2.

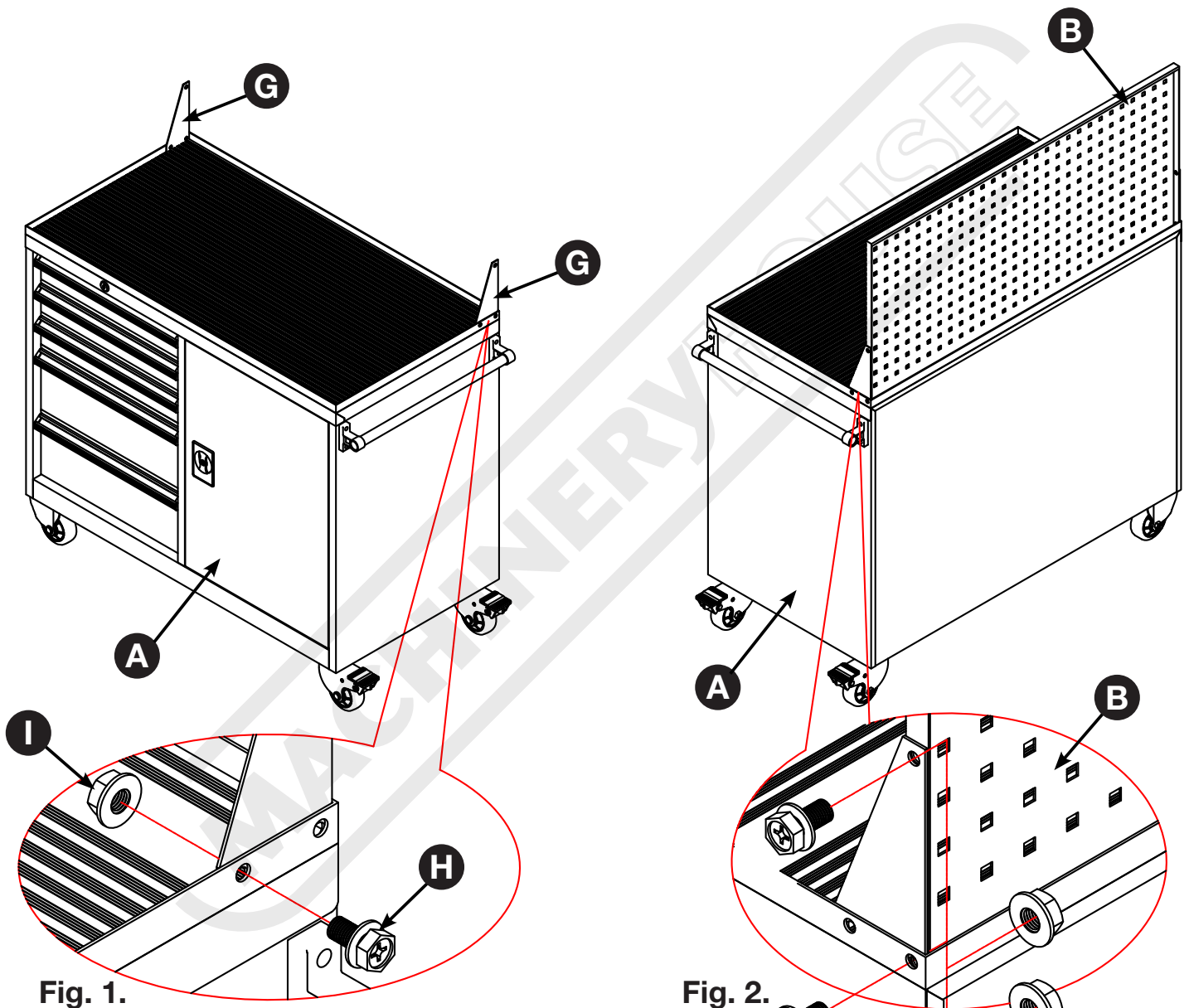




## ASSEMBLY Cont.

**Step 3:** Attach each backing panel brackets (G) to the cabinet top (A) using 1 x Hex Bolt and Nut (H & I) as shown in Fig.1.

**Step 4:** Attach backing panel (B) to the backing panel brackets (G) installed in Step 3 with Hex Bolts and Nuts (H & I) as shown in Fig 2.







#### ENVIRONMENT PROTECTION

Recycle unwanted materials instead of disposing of them as waste. All tools, accessories and packaging should be sorted, taken to a recycling centre and disposed of in a manner which is compatible with the environment. When the product becomes completely unserviceable and requires disposal, drain any fluids (if applicable) into approved containers and dispose of the product and fluids according to local regulations.

Imported by

**HARE & FORBES**  
**MACHINERYHOUSE**

Australian Distributor

Hare & Forbes  
Machineryhouse  
Sydney - Melbourne  
Adelaide - Brisbane - Perth

Ph: 1300 202 200  
[www.machineryhouse.com.au](http://www.machineryhouse.com.au)

**MACHINERYHOUSE**

New Zealand Distributor

Machineryhouse  
Auckland  
Christchurch

Ph: 0800 142 326  
[www.machineryhouse.co.nz](http://www.machineryhouse.co.nz)